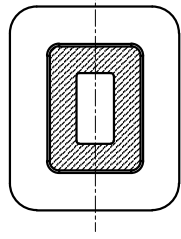
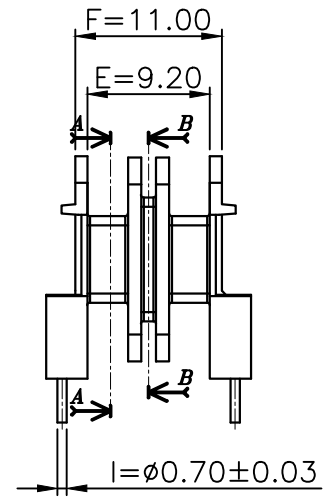
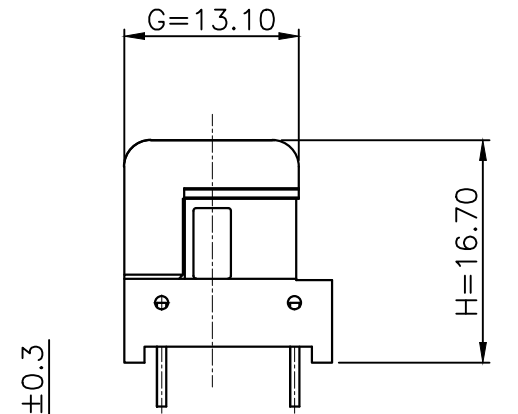
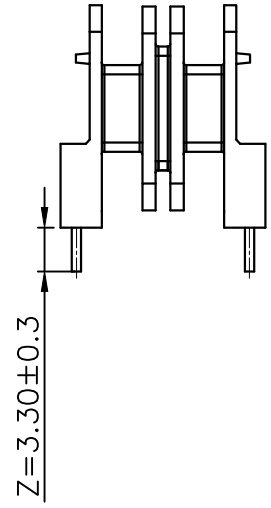
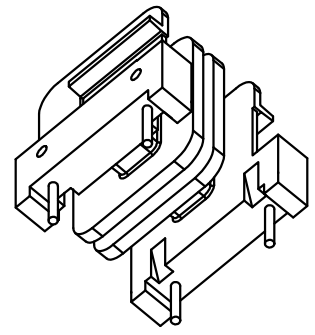
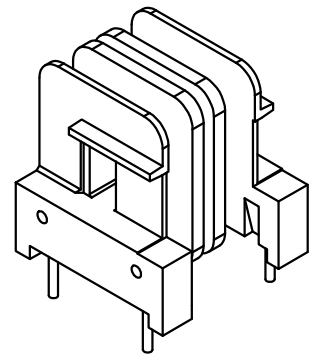
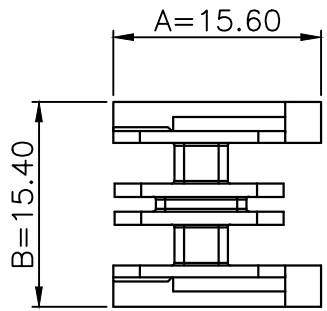
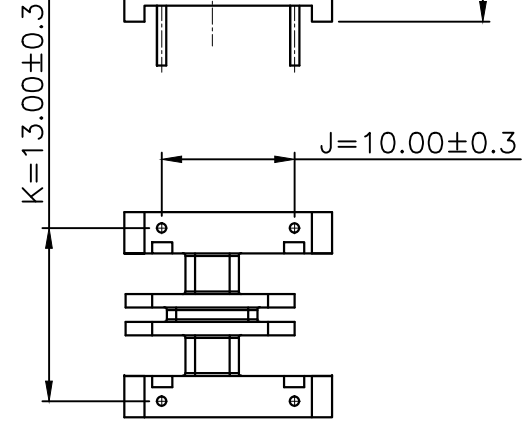


SECTION A-A



SECTION B-B



MARK		REVISION NOTE		DATE	DRAWN	CHECKED	APPROVED
DRAWN	CHECKED	APPROVED	MATERIAL : PET	UL REC. : UL94V-0	THIRD ANGLE PROJ.	SCALE : 2/1	
HK, Yang	SH, Kim	C, Park	Z : PIN LENGTH (According to customer's request)	DATE : 2014.02.12	TOLERANCE ±0.2 (Unless otherwise specified)	UNIT : mm	
주식회사 대흥보빈 DAE HEUNG BOBBIN CO., LTD.			TITLE UU 11*16 "H" (4P) 2F		DWG NO DH-140428-1005-06		